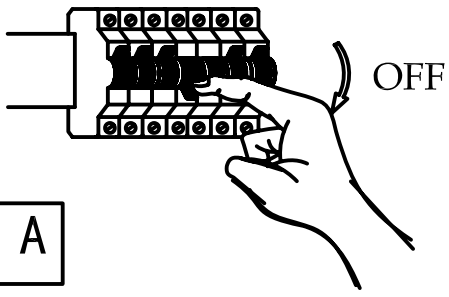
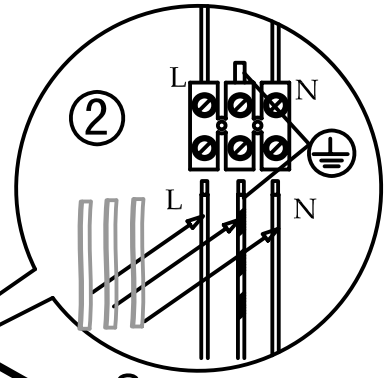


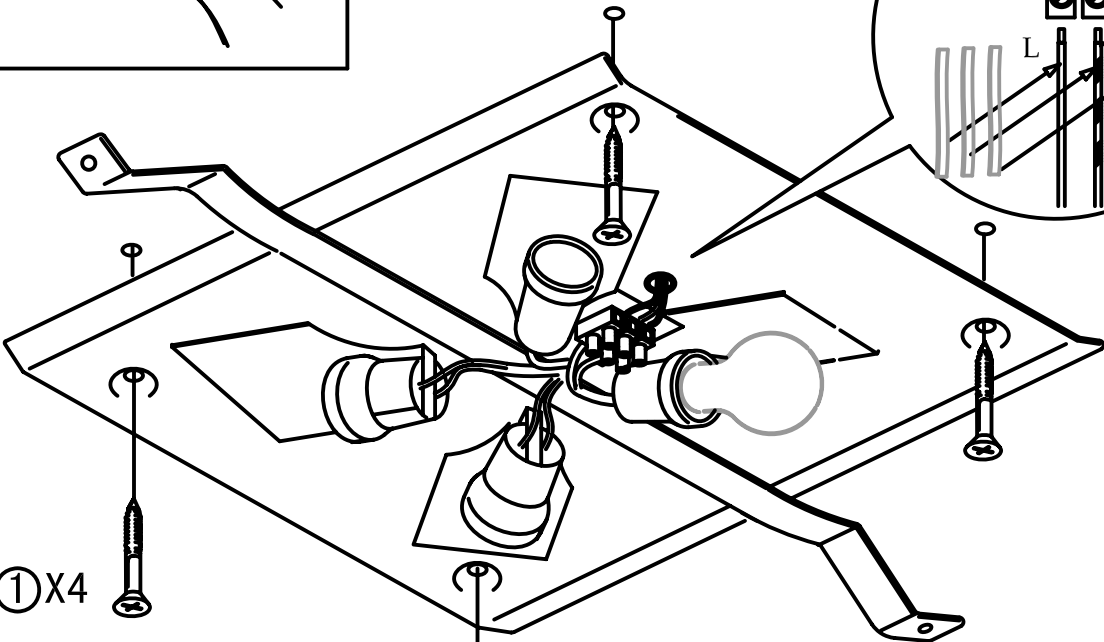
A



B



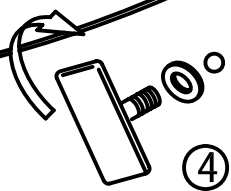
① X4



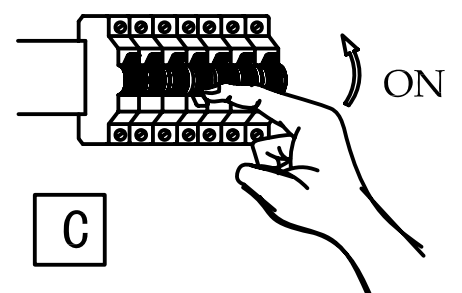
③



④ X2



C



BLA83244

